

Pick a Word

Use the word or words in the box that matches each statement below.

alternator	fuel-injection system	preventive maintenance
carburetor	master cylinder	radiator
catalytic converter	muffler	thermostat
differential	oil pump	transaxle
drive shaft	power steering	transmission
engine management system	powerplant	water pump

- _____ 1. ~~Forces engine oil through the oil filter~~
- _____ 2. ~~Delivers engine power to the drive wheels~~
- _____ 3. Carries power from the transmission to the differential in rear-wheel drive vehicles
- _____ 4. Allows one rear wheel to turn faster than the other
- _____ 5. Generates electric current that recharges the battery
- _____ 6. Holds and cools engine coolant
- _____ 7. Mixes air with fuel and sends it to the engine
- _____ 8. Contains brake fluid that is forced to the wheel cylinder to slow or stop the wheel
- _____ 9. Regulates the temperature of the engine coolant
- _____ 10. Replaces the carburetor in most new cars
- _____ 11. A vehicle's engine or motor that transmits power to a drive system
- _____ 12. Serves in place of a transmission and differential in front-wheel vehicles
- _____ 13. Draws coolant from the radiator and forces it through the engine's cooling passages
- _____ 14. ~~Converts harmful gases into less harmful gases and water~~
- _____ 15. Reduces the noise from combustion sounds in the engine
- _____ 16. A system that uses a hydraulic pump and fluid to make steering easier
- _____ 17. ~~A practice of maintaining the routine care and attention to a vehicle~~
- _____ 18. A computer system that monitors the fuel, ignition, and emissions and automatically makes adjustments to the vehicle's systems when needed

Check Correct or Incorrect

Read the statements below and check whether the statement is correct or incorrect.

1. Vehicles with front-wheel drive have two half shafts that carry power to the front wheels.
2. Check automatic transmission fluid once a year.
3. A battery generates hydrogen, a very explosive gas.
4. Check the radiator hoses every year.
5. The colder the weather becomes, the less power a battery contains.
6. Have your oil changed and oil filter replaced twice a year.
7. Adjust your brakes by moving forward and stopping, and then repeating the procedure several times.
8. Periodically check tire pressure when tires are warm.
9. When a wear bar is visible, replace the tire.
10. A tire with a traction grade of C has a better traction performance than a tire with a grade of B.

	Correct	Incorrect
1.		
2.		
3.		
4.		
5.		
6.		
7.		
8.		
9.		
10.		

Test Your Knowledge

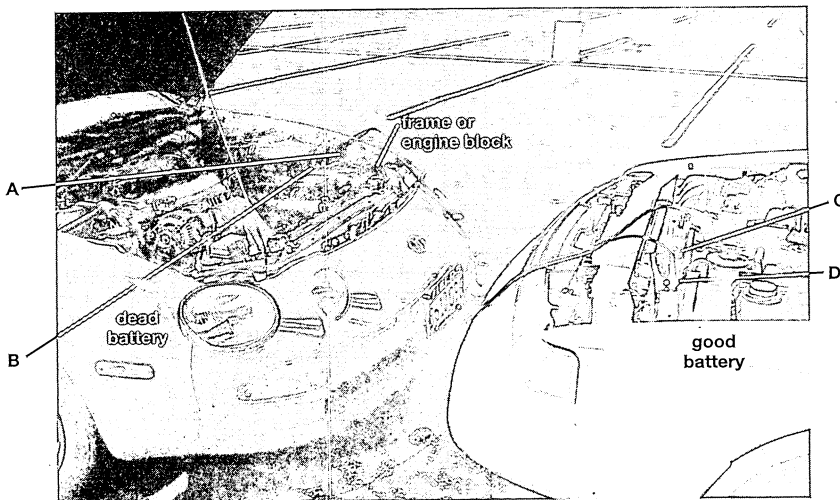
Complete each of the following statements.

- _____ 1. You should avoid touching battery fluid because it _____ that can burn your skin.
- _____ 2. You should _____ the tires regularly to promote even wear.
- _____ 3. _____ pressure causes tires to wear quickly and can cause tire failure.
- _____ 4. Many cars use fuel most efficiently at a speed of _____.
- _____ 5. For every 5-mph increase in speed above 55 mph, most cars pay a mileage penalty of _____ mpg.

Use the Picture

Use the picture on the right to list the four steps (by letter) for connecting jumper cables.

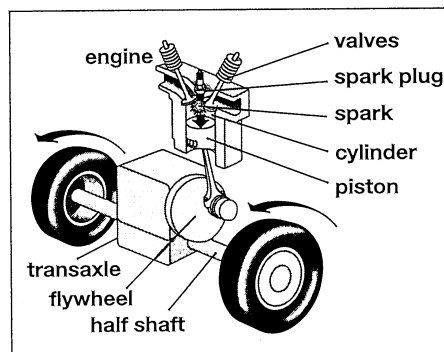
- _____ 1. First connection
- _____ 2. Second connection
- _____ 3. Third connection
- _____ 4. Fourth connection



Study the Diagram

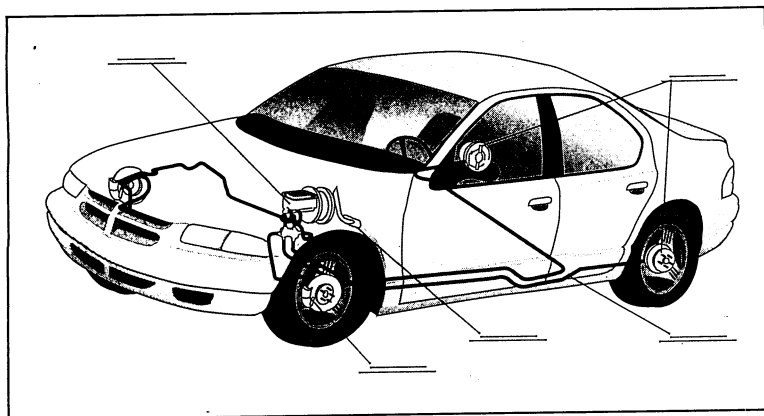
Identify the part of the powerplant or drive of a front-wheel drive vehicle.

- _____ 1. Ignites the air-fuel mixture in each cylinder.
- _____ 2. Moves down in the cylinder as a result of an explosion.
- _____ 3. Changes up-and-down motion of each piston into rotary motion.
- _____ 4. Carries power to the vehicle's front wheels.
- _____ 5. Enables the engine to deliver power to the drive wheels.



Study the Picture

Write the number of each listed part of the car's brake system in the blank.



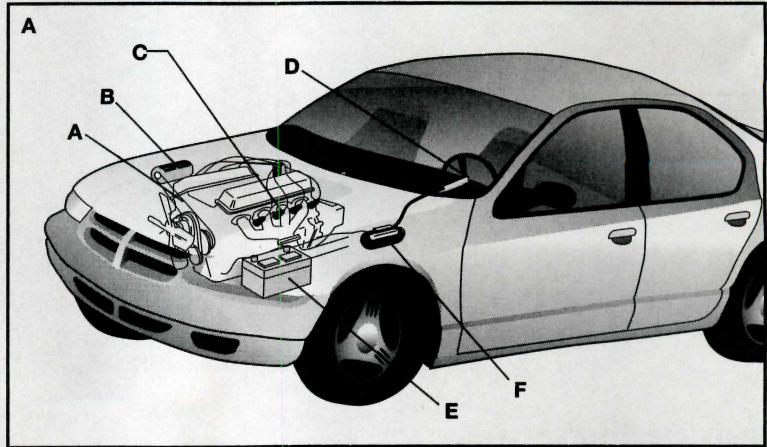
- 1. rear drum brakes
- 2. brake line
- 3. master cylinder
- 4. front disk brake
- 5. brake pedal

Use the Pictures

Study pictures A, B, and C. For each picture shown, select the letter that identifies the part of the ignition and electrical, emission, or cooling system.

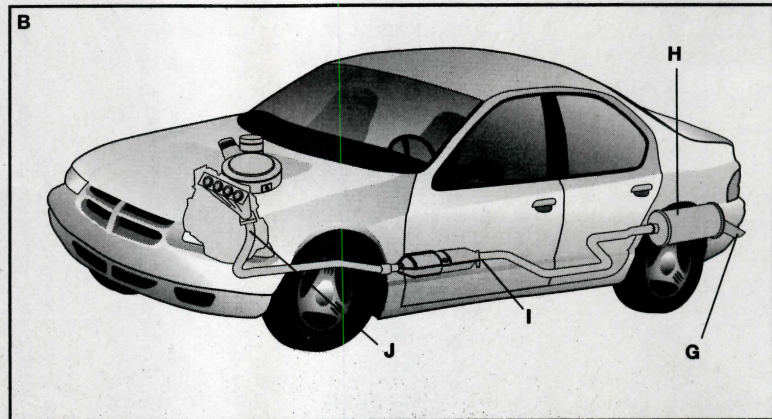
A—Ignition and Electrical System

- _____ 1. spark plugs
- _____ 2. alternator
- _____ 3. belt
- _____ 4. ignition key
- _____ 5. battery
- _____ 6. starter motor



B—Emission System

- _____ 7. catalytic converter
- _____ 8. tailpipe
- _____ 9. muffler
- _____ 10. exhaust gas recirculation system



C—Cooling System

- _____ 11. coolant recovery tank
- _____ 12. radiator
- _____ 13. water pump
- _____ 14. fan
- _____ 15. hoses
- _____ 16. fan belt

